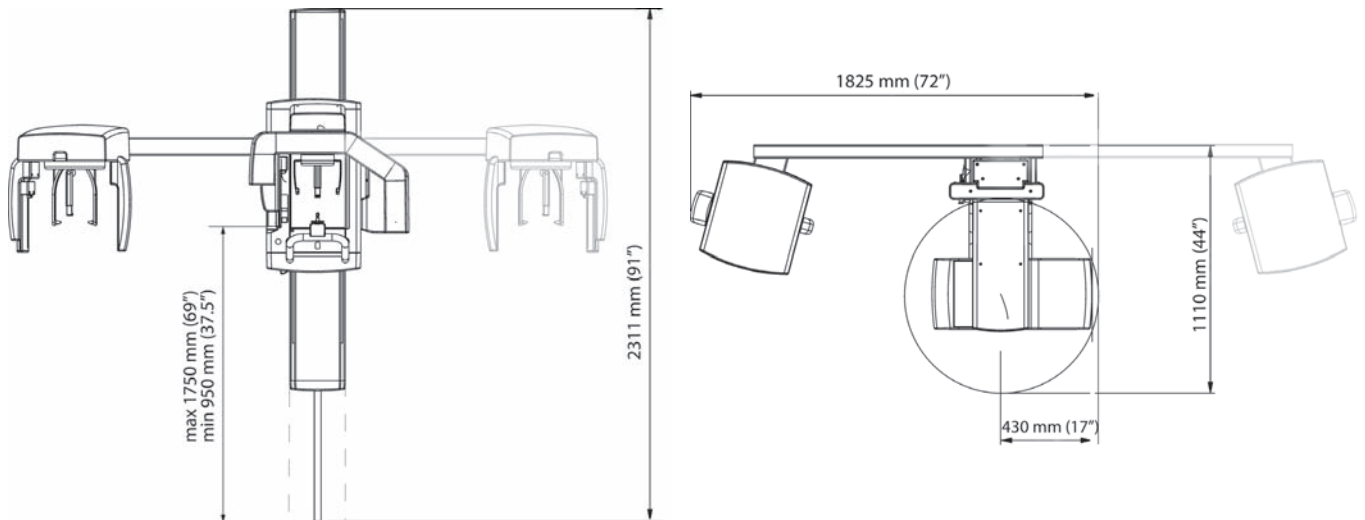


# Technical data



## General

Generator	High frequency DC generator, operating frequency 40 kHz
Focal spot size	0.5 mm
Minimum total filtration	2.7 mm Al
Line voltage	230/240 Vac $\pm$ 10% / 115 Vac (50/60 HZ)
Anode voltage	57 - 85 kV
Anode current	10 mA
Exposure time	17.6 s High Quality panoramic, 11 s fast panoramic, 8 - 20 s cephalometric
SID	520 mm (20.47") panoramic, 1721 mm (67.75") cephalometric
Fusing	8 A / 16 A slow (230/115 Vac)
Weight	Pan 120 kg (264 lbs), Ceph 165 kg (363 lbs)
Electrical safety classification	EN 60601-1 class 1/B
Color	RAL 7040, RAL 9003

## Digital Unit

Sensor	CCD-detector
Active sensor surface	PAN: 147.5 x 6.1 mm, CEPH: 221.2 x 6.1 mm
Pixel size sensor	48 $\mu$ m
Pixel size image	96 $\mu$ m
File size	PAN max: 9.5 MB, CEPH max: 11.5 MB

## Workstation computer recommendations

Operating system	Windows Vista / Windows XP Professional / Home / SP1 or SP2, Windows 2000 Professional / SP4
------------------	--